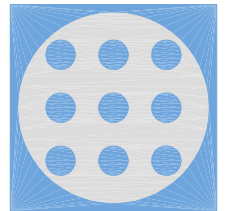


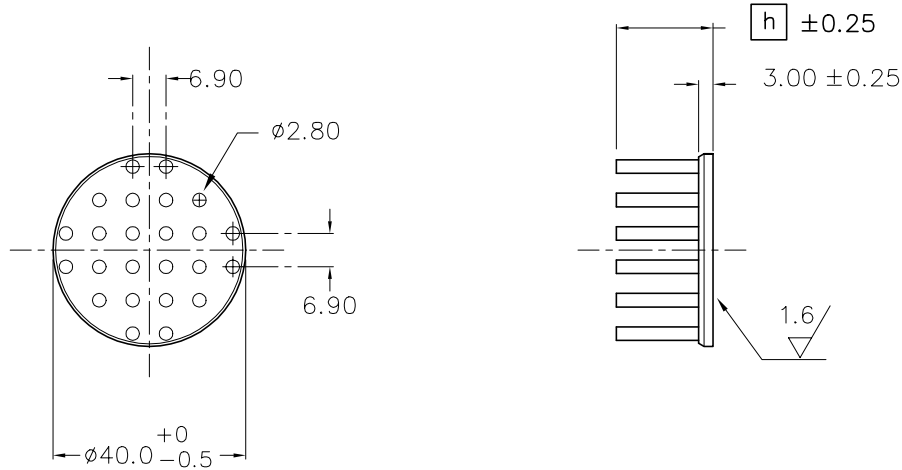
# CN Series

Natural Convection Heat Sink

**ALPHA**



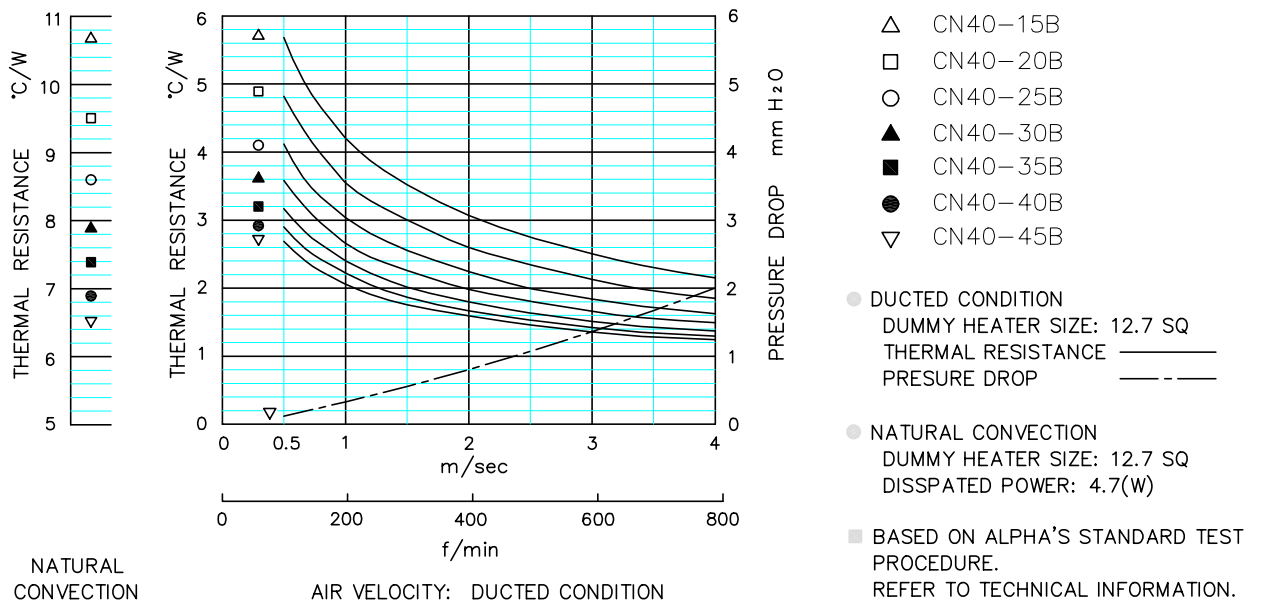
### DIM

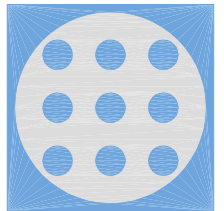


MATERIAL : A 6063  
 FINISH : BLACK ANODIZE  
 DIMENSIONS : mm

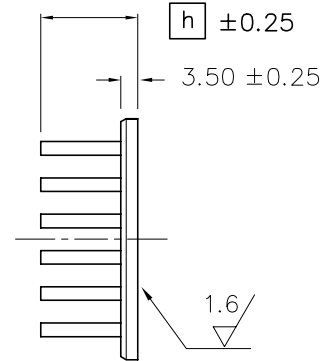
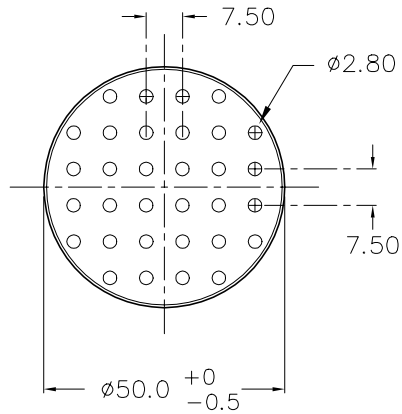
MODEL	HEIGHT $h$	WEIGHT (grams)
CN40-15B	15	15.1
CN40-20B	20	17.0
CN40-25B	25	18.9
CN40-30B	30	20.8
CN40-35B	35	22.7
CN40-40B	40	24.6
CN40-45B	45	26.5

### DATA





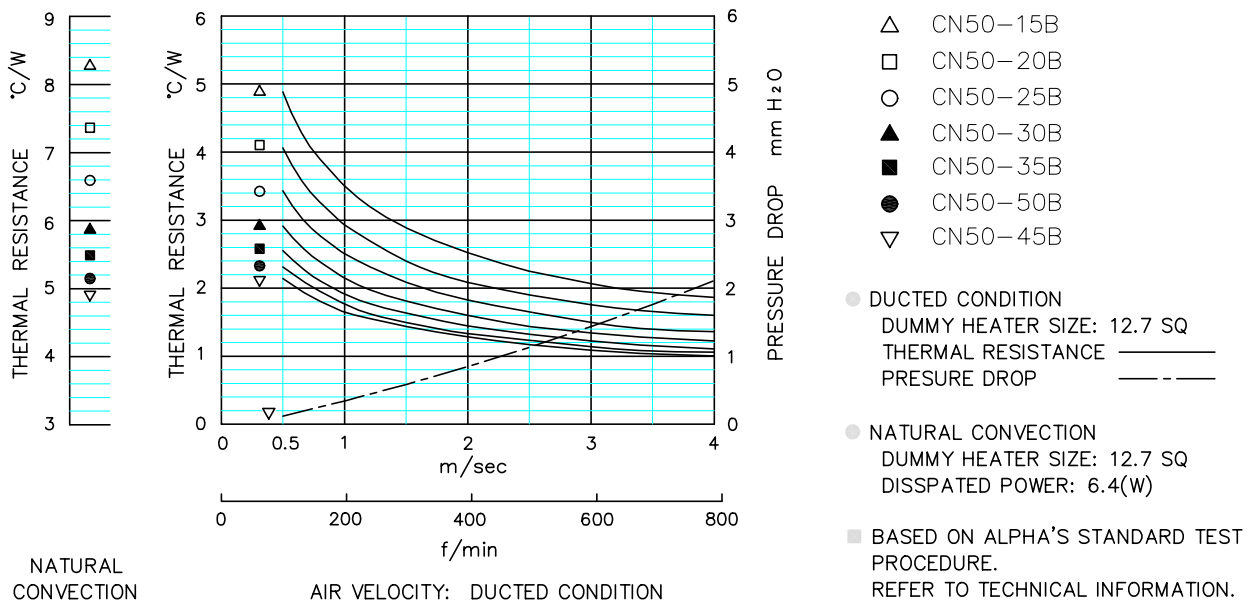
### DIM

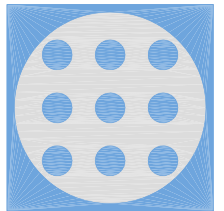


MODEL	HEIGHT $h$	WEIGHT (grams)
CN50-15B	15	24.8
CN50-20B	20	27.3
CN50-25B	25	29.8
CN50-30B	30	32.4
CN50-35B	35	34.9
CN50-40B	40	37.4
CN50-45B	45	40.0

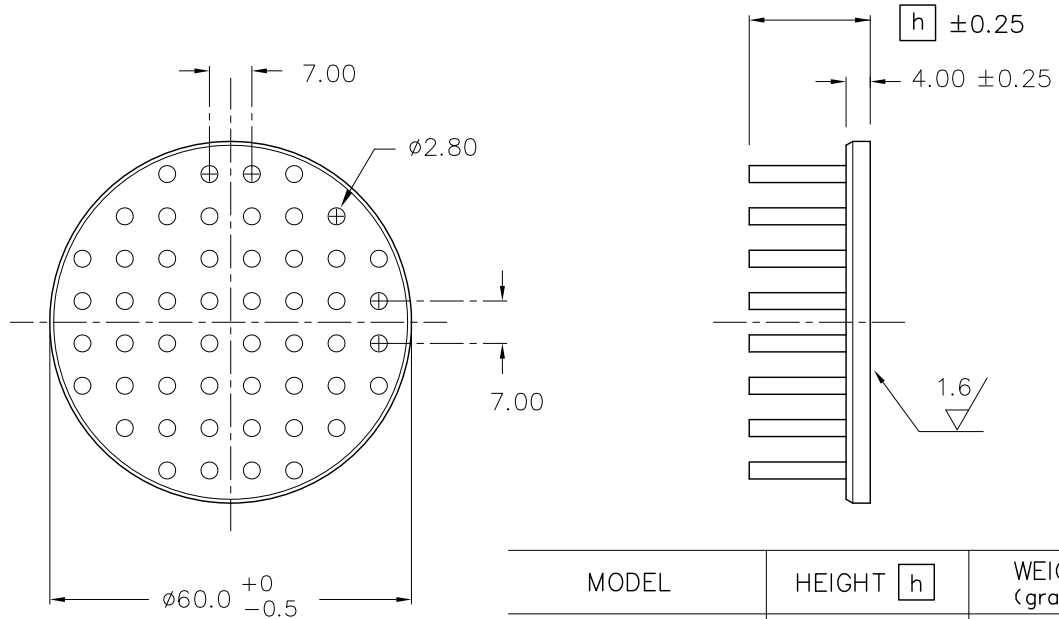
MATERIAL : A 6063  
 FINISH : BLACK ANODIZE  
 DIMENSIONS : mm

### DATA





### DIM



MODEL	HEIGHT [h]	WEIGHT (grams)
CN60-15B	15	40.0
CN60-20B	20	44.2
CN60-25B	25	48.3
CN60-30B	30	52.5
CN60-35B	35	56.6
CN60-40B	40	60.8
CN60-45B	45	64.9

MATERIAL : A 6063  
 FINISH : BLACK ANODIZE  
 DIMENSIONS : mm

### DATA

