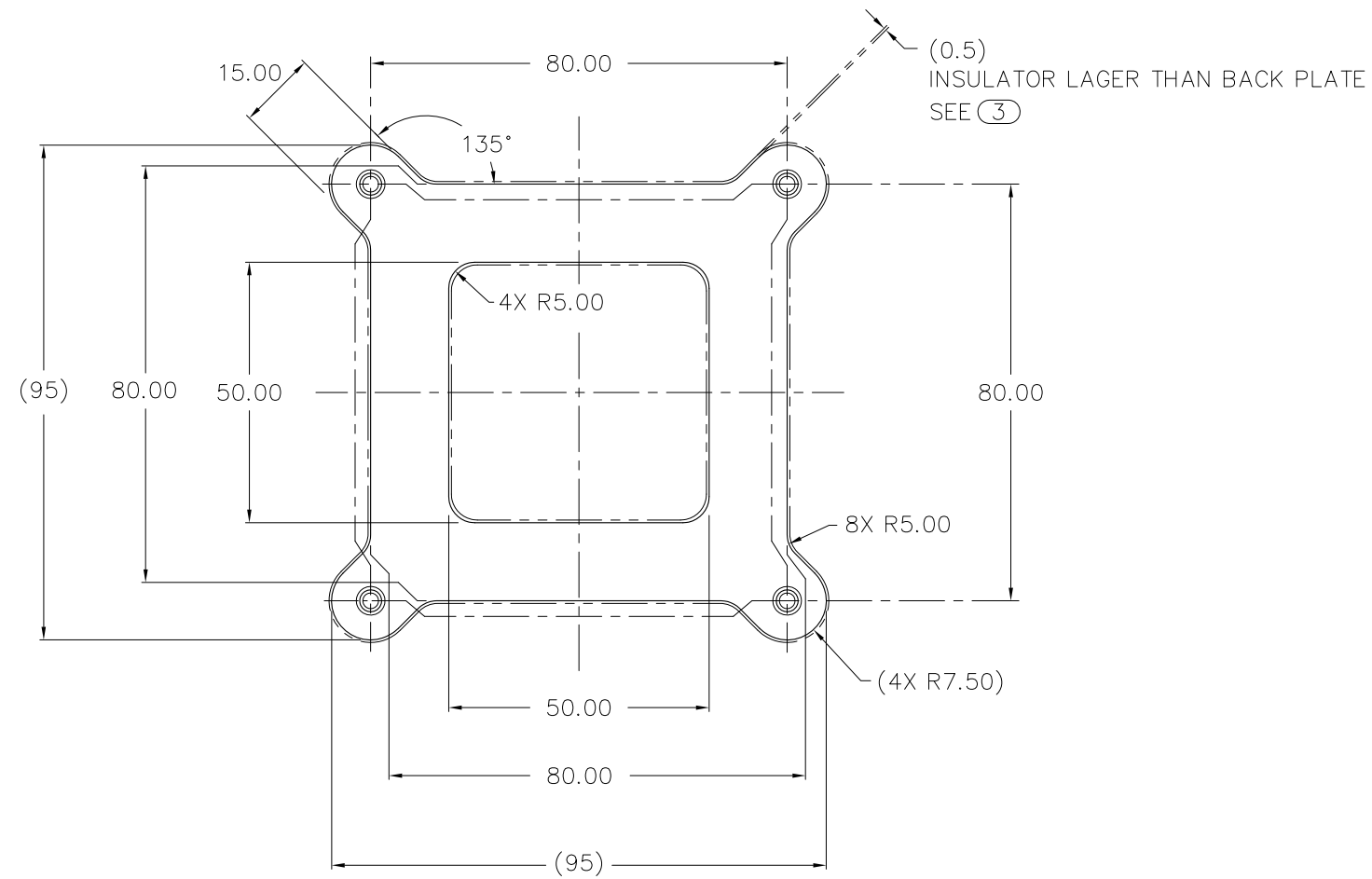
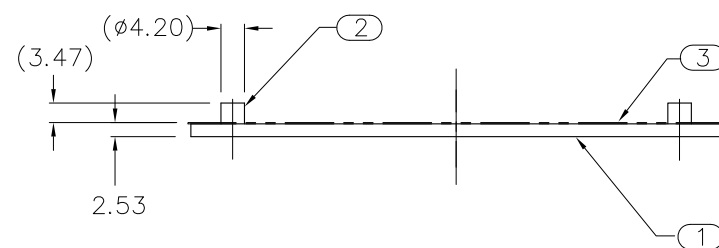


REVISIONS				
REV	DATE	DESCRIPTION	CHG	APPR



- NOTES : UNLESS OTHERWISE SPECIFIED
1. INTERPRET DIMENSIONS AND TOLERANCES PER ANSI Y14.5M
  2. ALL DIMENSIONS ARE IN MILLIMETERS.
  3. TOLERANCES :  $\pm 0.254$



(3)	S001YZ45	<INSLATER> INS-90	POLYCARBONATE FILM PLUS ACRYLIC ADHESIVE APPLIED TO ONE SIDE THICKNESS 0.25	1
(2)	S089JK1S	<STANDOFF> PEM S0-M3-6ZI	STANDOFF M3 THRU (PEM S0-M3-6ZI OR EQUIVALENT)	4
(1)	S001YZ46	<BACK PLATE> BPL-90-BLK	STEEL SPCC -JIS G3141 or ASTM A1008 THICKNESS 2.28 ELECTRIC NICKEL PLATING	1
ITEM	PART NO.	PART NAME	REMARK	Q'TY
<b>ALPHA CO.,LTD.</b>			CSTM'R'S PART NO.	
		MATERIAL	NAME BPL-90	
SCALE 1 : 1		APPR & CHCK A. KATSUMATA	PART NO. & DWG NO.	REV
DATE FEB 17 2016		DSGN & DWG A. KATSUMATA	S001YZ43	
RDCTN:			LOFF:	