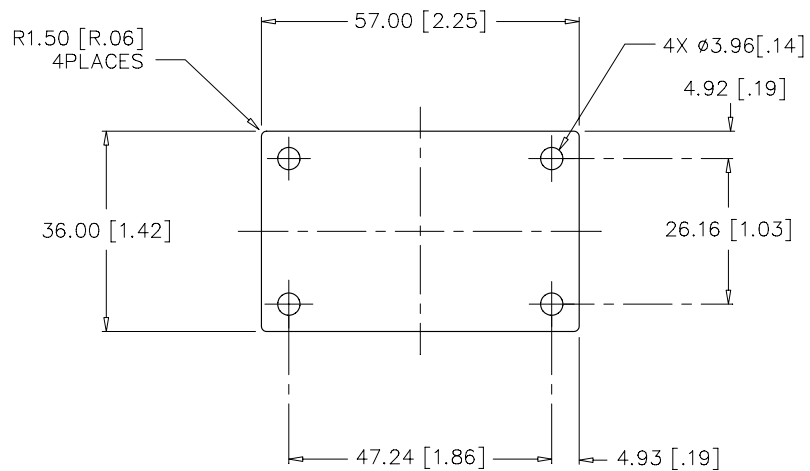


REVISIONS				
REV	DATE	DESCRIPTION	CHG	APPR
/	JAN 19 '11	CHG NAME (WAS T-PLI210A1 Q-BRICK).	Y.S.	Y.S.



NOTES : UNLESS OTHERWISE SPECIFIED

1. INTERPRET DIMENSIONS AND TOLERANCES

PER ANSI Y14.5M

2. ALL DIMENSIONS ARE IN MILLIMETERS.

3. MATERIAL:

THERMAGON T-pli210A1

0.25[.010"]THK.

WITH ACRYLIC PRESSURE SENSITIVE ADHESIVE(ONE SIDE)

SUPPLIED ON A REMOVABLE LINER SHEET.

4. TOLERANCES :

.XX ±0.254 ANGLES ± 1°

.XXX ±0.127

ITEM	PART NO.	PART NAME	REMARK	Q'TY
<b>ALPHA CO.,LTD.</b>			CSTM'R'S PART NO.	
	MATERIAL SEE NOTE 3		NAME T-PLI210-QB	
SCALE 1 : 1		APPR & CHCK	PART NO. & DWG NO. S001Z002	
DATE OCT 30. 2003		DSGN & DWG Y.SUZUKI	RDCTN:	LOFF: