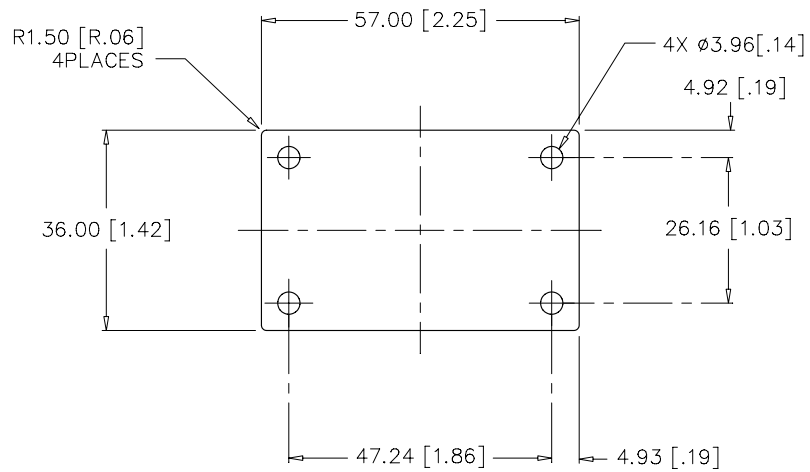


REVISIONS				
REV	DATE	DESCRIPTION	CHG	APPR
/	JAN 19 '11	CHG NAME (WAS T-pcm905C(Q-Brick).	Y.S.	Y.S.



NOTES : UNLESS OTHERWISE SPECIFIED

1. INTERPRET DIMENSIONS AND TOLERANCES

PER ANSI Y14.5M

2. ALL DIMENSIONS ARE IN MILLIMETERS.

3. MATERIAL:

THERMAGON T-pcm905C

0.13[.005"]THK.

SUPPLIED ON A REMOVABLE LINER SHEET.

4. TOLERANCES :

.XX ±0.254 ANGLES ± 1°

.XXX ±0.127

ITEM	PART NO.	PART NAME	REMARK	Q'TY
		<b>ALPHA CO.,LTD.</b>	CSTM'R'S PART NO.	
		MATERIAL SEE NOTE 3	NAME T-PCM905C-QB	
SCALE 1 : 1		APPR & CHCK Y.SUZUKI	PART NO. & DWG NO. S001Z03M	
DATE APR 15. 2005		DSGN & DWG Y.SUZUKI	REV	
RDCTN:			LOFF:	