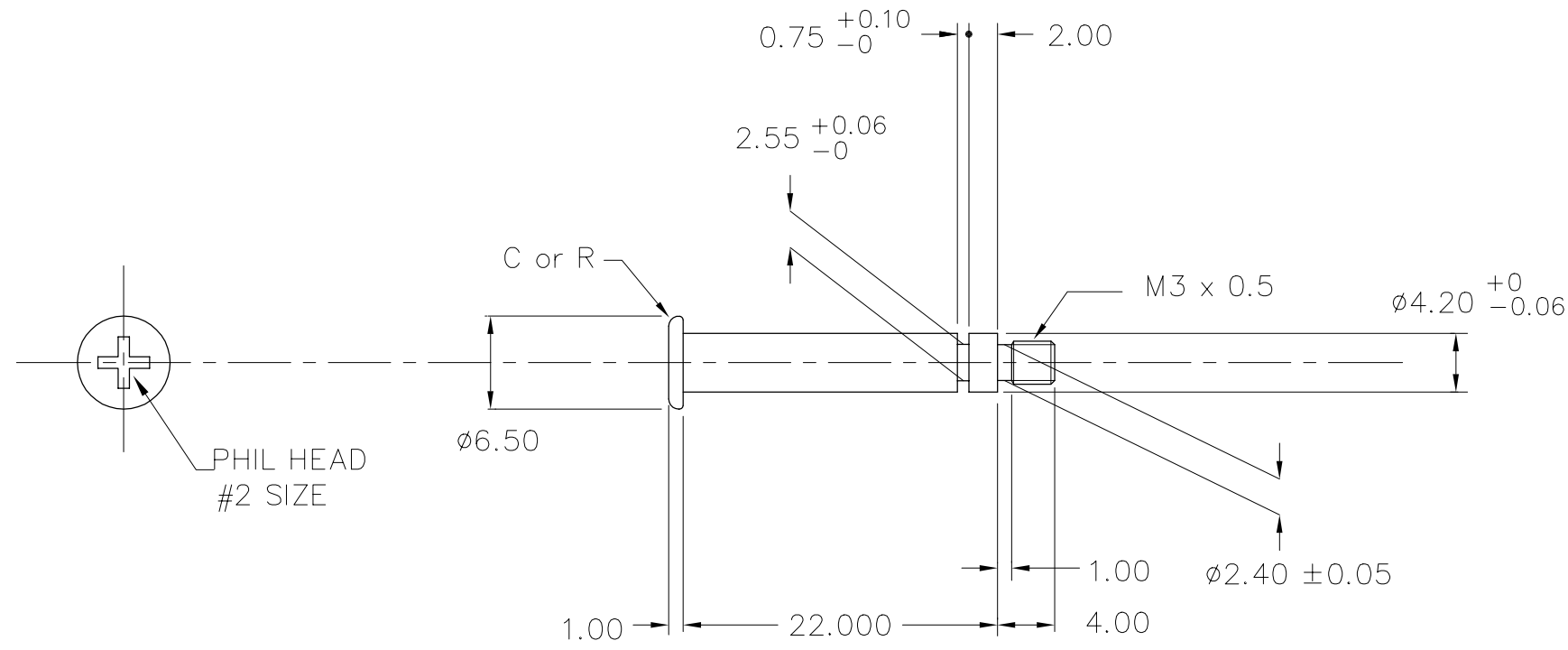


REVISIONS				
REV	DATE	DESCRIPTION	CHG	APPR
A	FEB 02. '09	ADD GROOVE OF E-RETAINING RING.	Y.S.	Y.S.
B	FEB 11. '09	CHG DAI (WAS 4.0 +0/-0.2).	Y.S.	Y.S.
C	APR 03. '09	ADD THREAD UNDERCUT SPEC(φ2.40) .	Y.S.	Y.S.
	APR 07. '09	CHG NAME (WAS S-SCREW-22(M3-4L)).	Y.S.	Y.S.



- NOTES : UNLESS OTHERWISE SPECIFIED
1. INTERPRET DIMENSIONS AND TOLERANCES PER ANSI Y14.5M
 2. ALL DIMENSIONS ARE IN MILLIMETERS.
 3. MATERIAL
CARBON STEEL SWCH12A or EQUIVAIENT
ZINC /CLEAR CHROMATE (Cr3+)
 4. TOLERANCES :
.XX ±0.254
.XXX ±0.127
 5. REMOVE ALL BURRS AND BREAK SHARP EDGES.
 6. UNSPECIFIED CORNER R0.5 MAX OR C0.5 MAX
 7. MACHINED SURFACE FINISH TO BE $\sqrt{6.3}$ OR BETTER.

ITEM	PART NO.	PART NAME	REMARK	Q'TY
ALPHA CO.,LTD.			CSTMR'S PART NO.	
		MATERIAL NOTE 3	NAME SS-22	
SCALE 2 : 1		APPR & CHCK Y.SUZUKI	PART NO. & DWG NO. S089HX0B	REV C
DATE 2008.12.19		DSGN & DWG Y.SUZUKI	RDCTN:	LOFF: