

UCBM Series UCBH Series

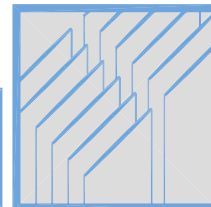
Low Pressure Drop and
Low Thermal Resistance Heat Sink
with Counterbored Attachment Holes

ALPHA

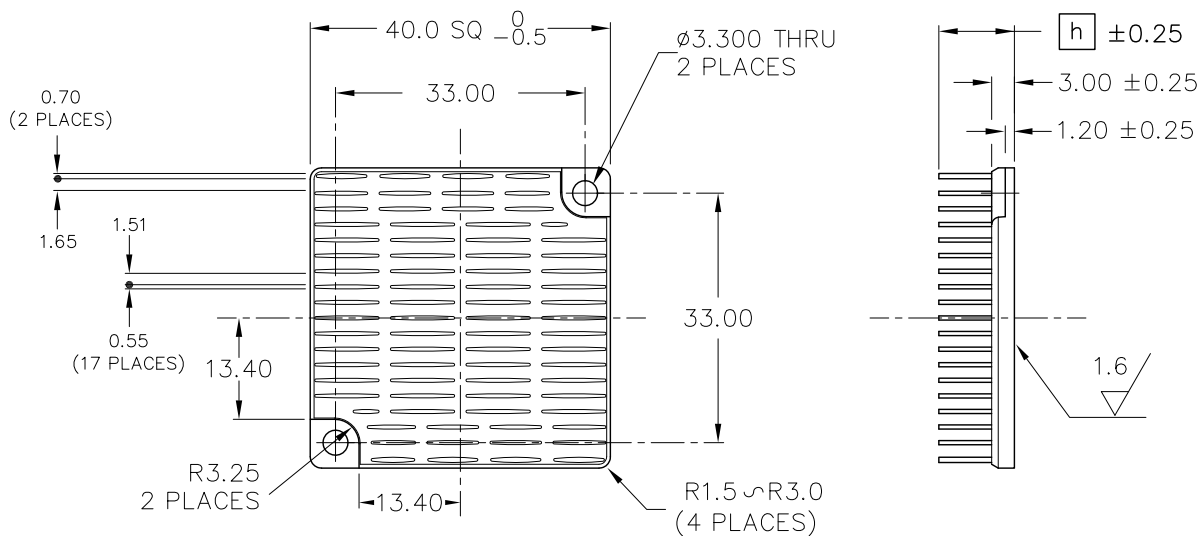
ALPHA

Low Pressure Drop and
Low Thermal Resistance Heat Sink
with counterbored attachment holes

UCBM 40



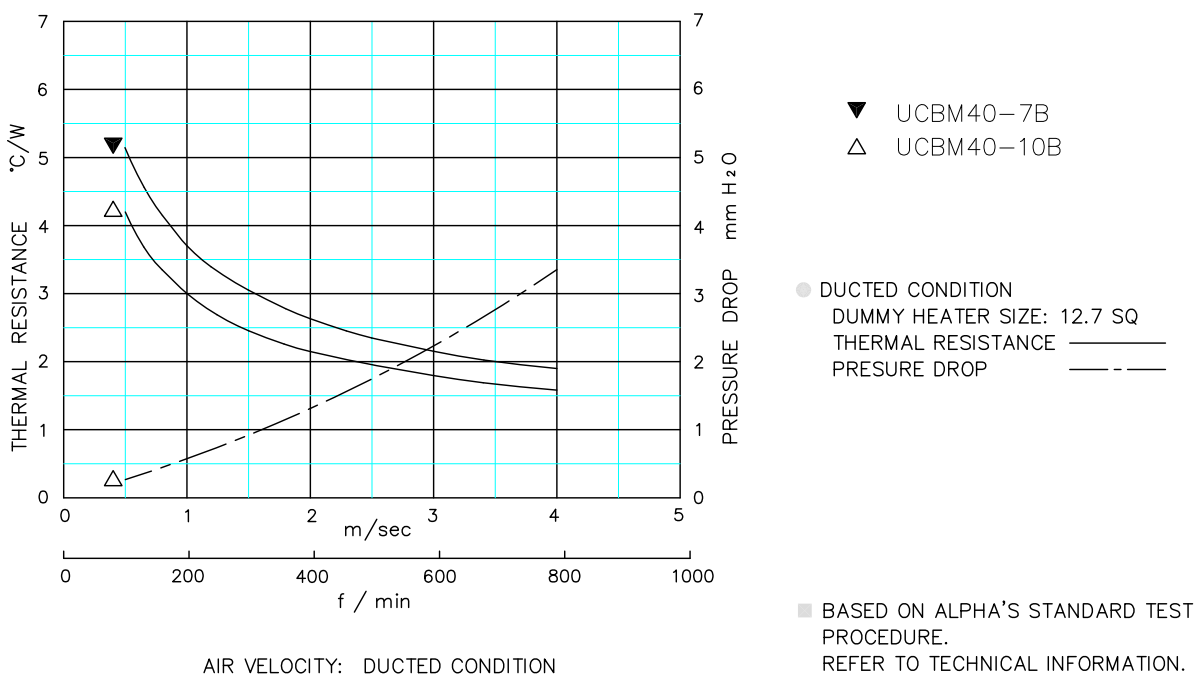
DIM



MODEL	HEIGHT h	WEIGHT (grams)
UCBM40-7B	7	15.4
UCBM40-10B	10	17.7

MATERIAL : A 6063
FINISH : BLACK ANODIZE
DIMENSIONS : mm

DATA



Alpha Company Ltd.

256-1 UEDA, NUMAZU-CITY SHIZUOKA-PREF., JAPAN
PHONE +81(55)966 0789
FAX +81(55)966 9192
E mail : alpha@micforg.co.jp
URL : <http://www.micforg.co.jp>

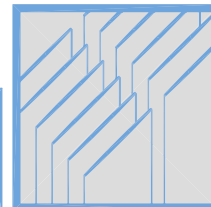
Alpha Novatech, Inc. - a subsidiary of Alpha Company.

473 Sapena Ct. #12 Santa Clara, CA 95054 USA
PHONE +1(408)567-8082
FAX +1(408)567-8053
E mail : sales@alphanovatech.com
URL : <http://www.alphanovatech.com>

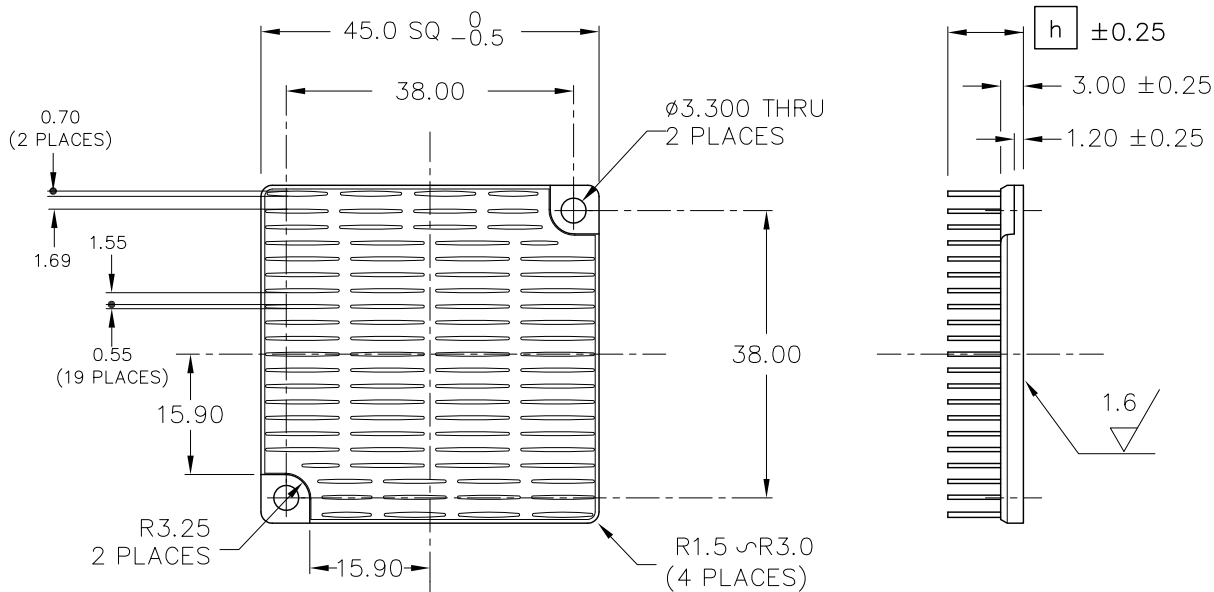
ALPHA

Low Pressure Drop and
Low Thermal Resistance Heat Sink
with counterbored attachment holes

UCBM 45



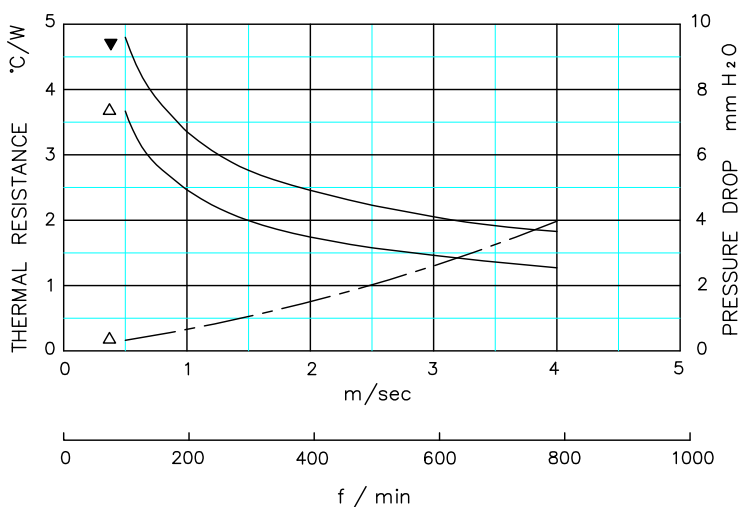
DIM



MODEL	HEIGHT h	WEIGHT (grams)
UCBM45-7B	7	19.6
UCBM45-10B	10	22.6

MATERIAL : A 6063
FINISH : BLACK ANODIZE
DIMENSIONS : mm

DATA



▼ UCBM45-7B
△ UCBM45-10B

● DUCTED CONDITION
DUMMY HEATER SIZE: 12.7 SQ
THERMAL RESISTANCE ———
PRESURE DROP - - - - -

■ BASED ON ALPHA'S STANDARD TEST PROCEDURE.
REFER TO TECHNICAL INFORMATION.

Alpha Company Ltd.

256-1 UEDA, NUMAZU-CITY SHIZUOKA-PREF., JAPAN
PHONE +81(55)966 0789
FAX +81(55)966 9192
E mail : alpha@micforg.co.jp
URL : http://www.micforg.co.jp

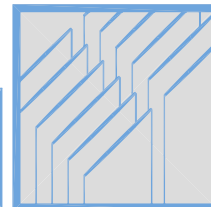
Alpha Novatech, Inc. - a subsidiary of Alpha Company.

473 Sapena Ct. #12 Santa Clara, CA 95054 USA
PHONE +1(408)567-8082
FAX +1(408)567-8053
E mail : sales@alphanovatech.com
URL : http://www.alphanovatech.com

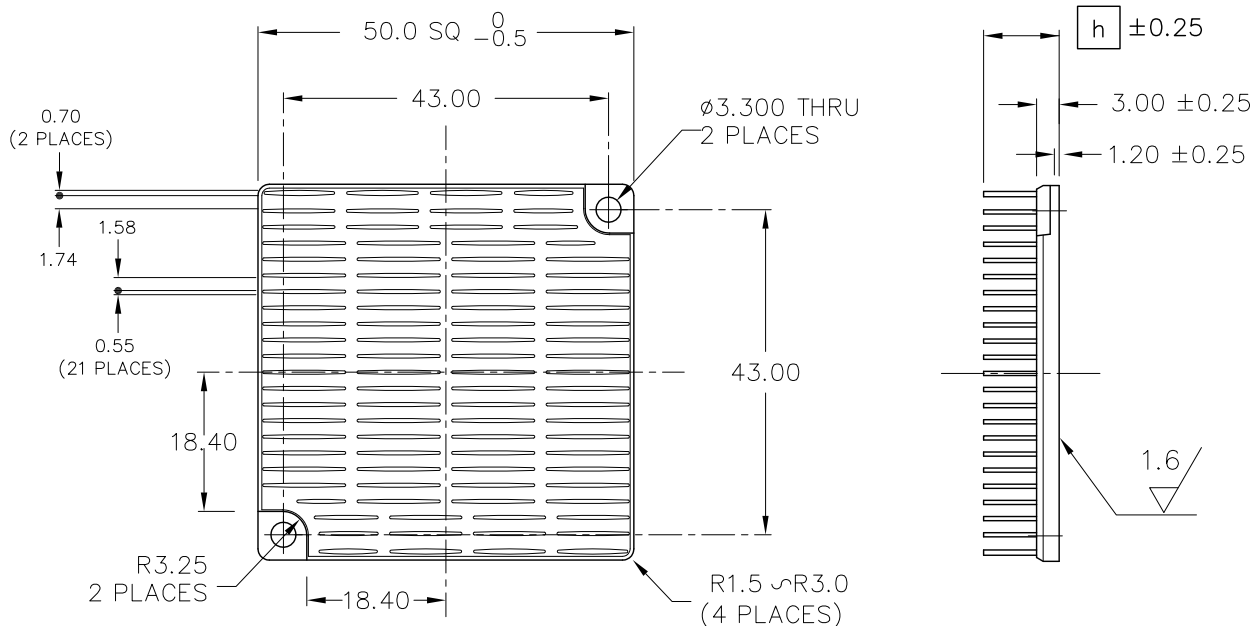
ALPHA

Low Pressure Drop and
Low Thermal Resistance Heat Sink
with counterbored attachment holes

UCBM50



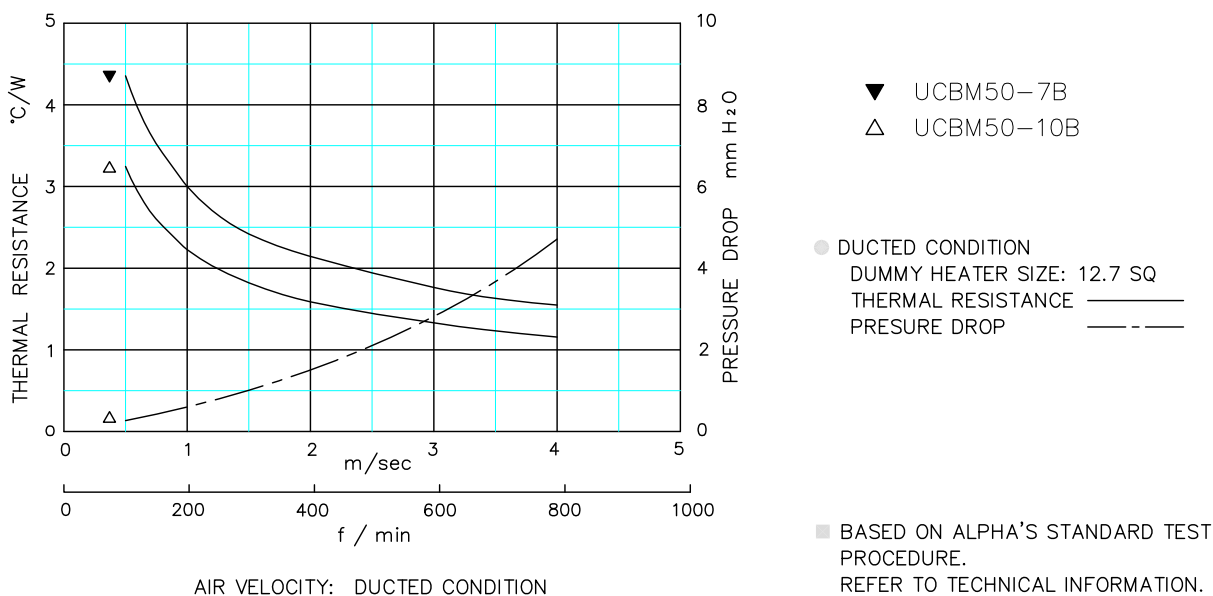
DIM



MODEL	HEIGHT h	WEIGHT (grams)
UCBM50-7B	7	24.5
UCBM50-10B	10	28.3

MATERIAL : A 6063
FINISH : BLACK ANODIZE
DIMENSIONS : mm

DATA



Alpha Company Ltd.

256-1 UEDA, NUMAZU-CITY SHIZUOKA-PREF., JAPAN
PHONE +81(55)966 0789
FAX +81(55)966 9192
E mail : alpha@micforg.co.jp
URL : <http://www.micforg.co.jp>

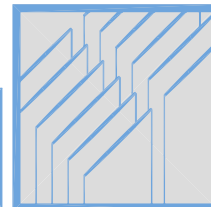
Alpha Novatech, Inc. - a subsidiary of Alpha Company.

473 Sapena Ct. #12 Santa Clara, CA 95054 USA
PHONE +1(408)567-8082
FAX +1(408)567-8053
E mail : sales@alphanovatech.com
URL : <http://www.alphanovatech.com>

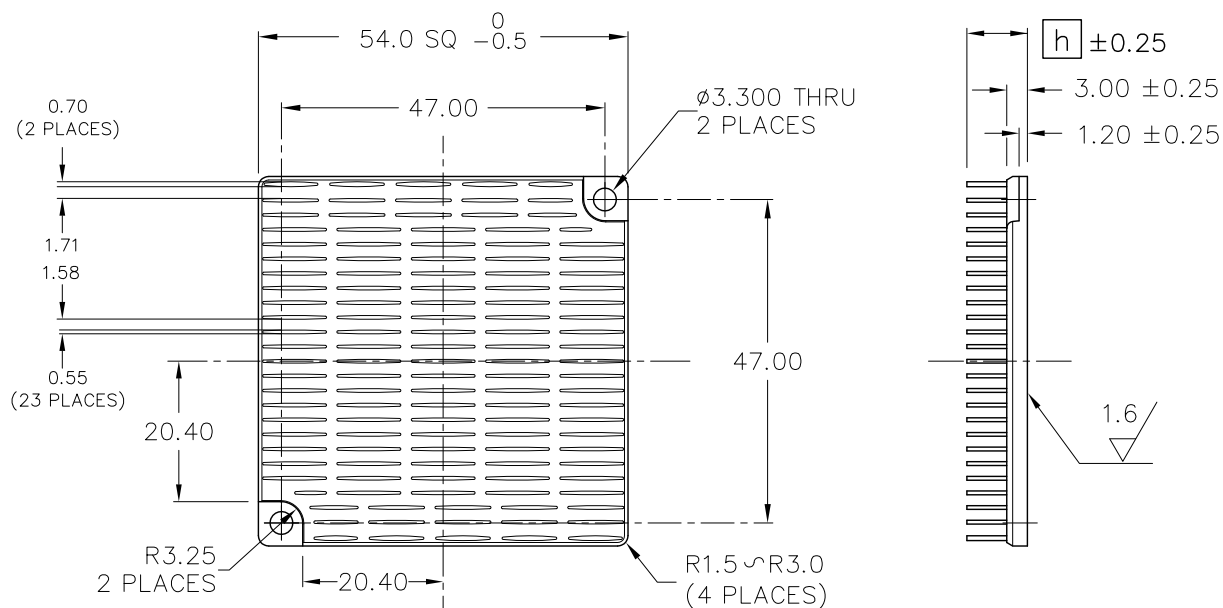
ALPHA

Low Pressure Drop and
Low Thermal Resistance Heat Sink
with counterbored attachment holes

UCBM54



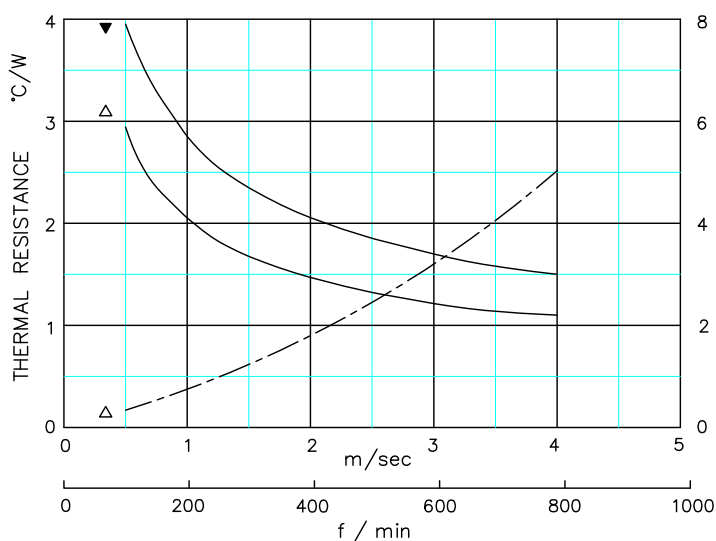
DIM



MODEL	HEIGHT h	WEIGHT (grams)
UCBM54-7B	7	28.6
UCBM54-10B	10	33.0

MATERIAL : A 6063
FINISH : BLACK ANODIZE
DIMENSIONS : mm

DATA



▼ UCBM54-7B
△ UCBM54-10B

● DUCTED CONDITION
DUMMY HEATER SIZE: 12.7 SQ
THERMAL RESISTANCE ———
PRESSURE DROP - - - - -

■ BASED ON ALPHA'S STANDARD TEST PROCEDURE.
REFER TO TECHNICAL INFORMATION.

AIR VELOCITY: DUCTED CONDITION

Alpha Company Ltd.

256-1 UEDA, NUMAZU-CITY SHIZUOKA-PREF., JAPAN
PHONE +81(55)966 0789
FAX +81(55)966 9192
E mail : alpha@micforg.co.jp
URL : http://www.micforg.co.jp

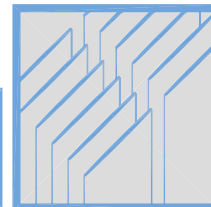
Alpha Novatech, Inc. - a subsidiary of Alpha Company.

473 Sapena Ct. #12 Santa Clara, CA 95054 USA
PHONE +1(408)567-8082
FAX +1(408)567-8053
E mail : sales@alphanovatech.com
URL : http://www.alphanovatech.com

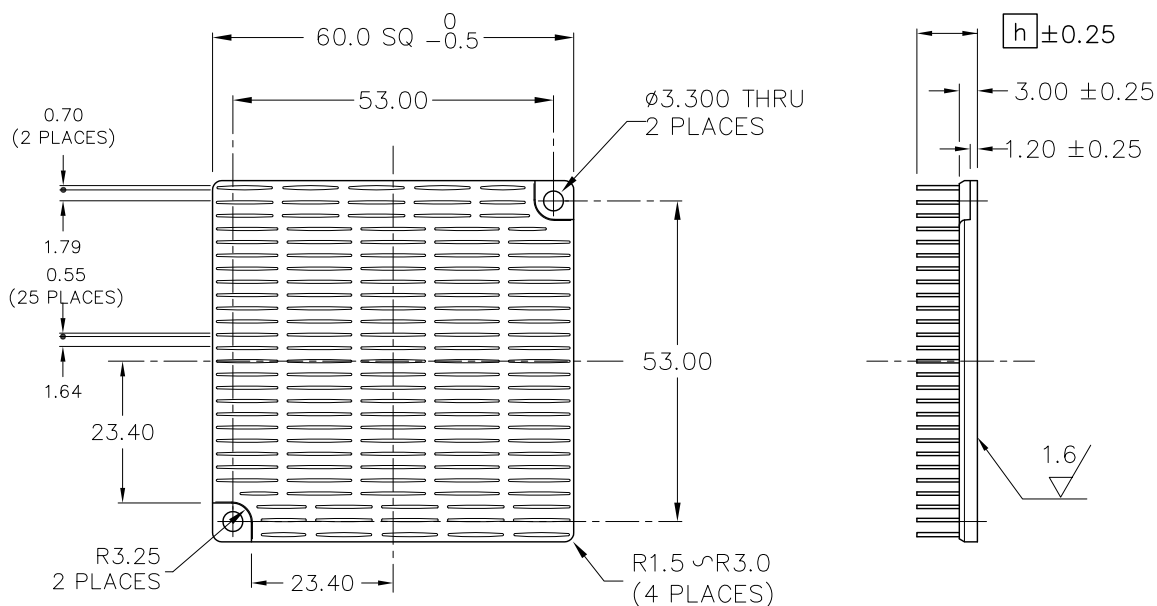
ALPHA

Low Pressure Drop and
Low Thermal Resistance Heat Sink
with counterbored attachment holes

UCBM60



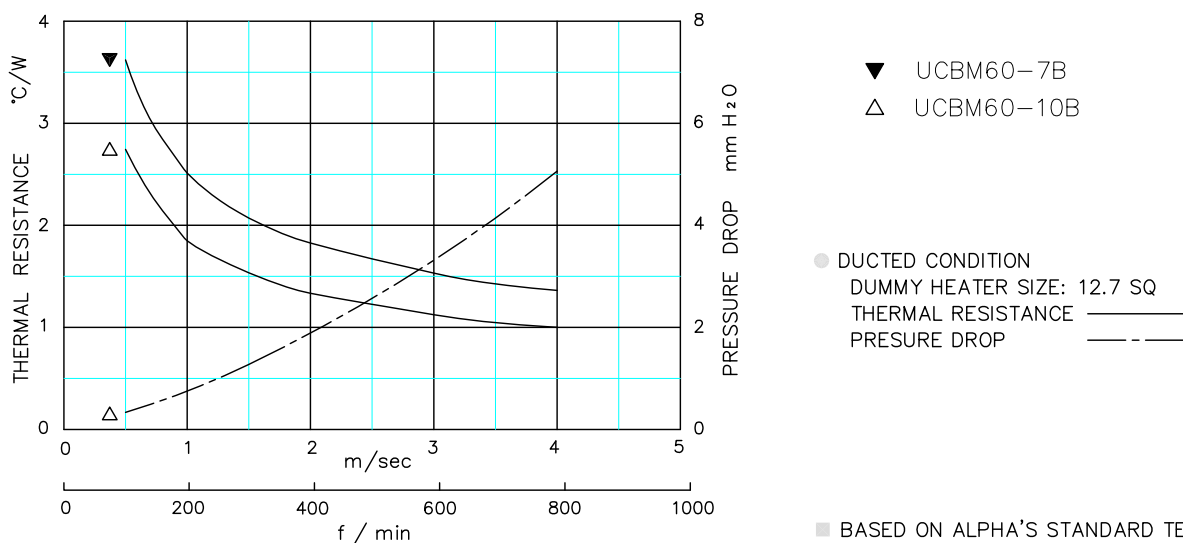
DIM



MODEL	HEIGHT h	WEIGHT (grams)
UCBM60-7B	7	35.6
UCBM60-10B	10	41.0

MATERIAL : A 6063
FINISH : BLACK ANODIZE
DIMENSIONS : mm

DATA



● DUCTED CONDITION
DUMMY HEATER SIZE: 12.7 SQ
THERMAL RESISTANCE ———
PRESURE DROP - - - - -

AIR VELOCITY: DUCTED CONDITION

■ BASED ON ALPHA'S STANDARD TEST PROCEDURE.
REFER TO TECHNICAL INFORMATION.

Alpha Company Ltd.

256-1 UEDA, NUMAZU-CITY SHIZUOKA-PREF., JAPAN
PHONE +81(55)966 0789
FAX +81(55)966 9192
E mail : alpha@micforg.co.jp
URL : http://www.micforg.co.jp

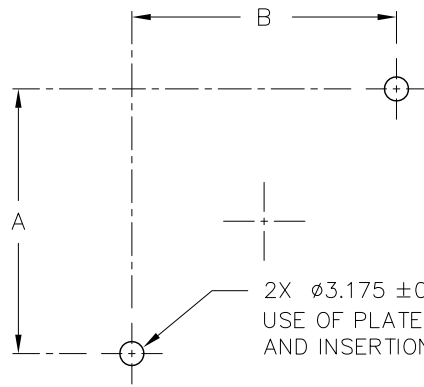
Alpha Novatech, Inc. - a subsidiary of Alpha Company.

473 Sapena Ct. #12 Santa Clara, CA 95054 USA
PHONE +1(408)567-8082
FAX +1(408)567-8053
E mail : sales@alphanovatech.com
URL : http://www.alphanovatech.com

REF



PCB HOLE LAYOUT

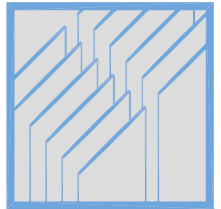


LCBM40, UCBM40	33.0	33.0
LCBM45, UCBM45	38.0	38.0
LCBM50, UCBM50	43.0	43.0
LCBM54, UCBM54	47.0	47.0
LCBM60, UCBM60	53.0	53.0
MODEL	A	B

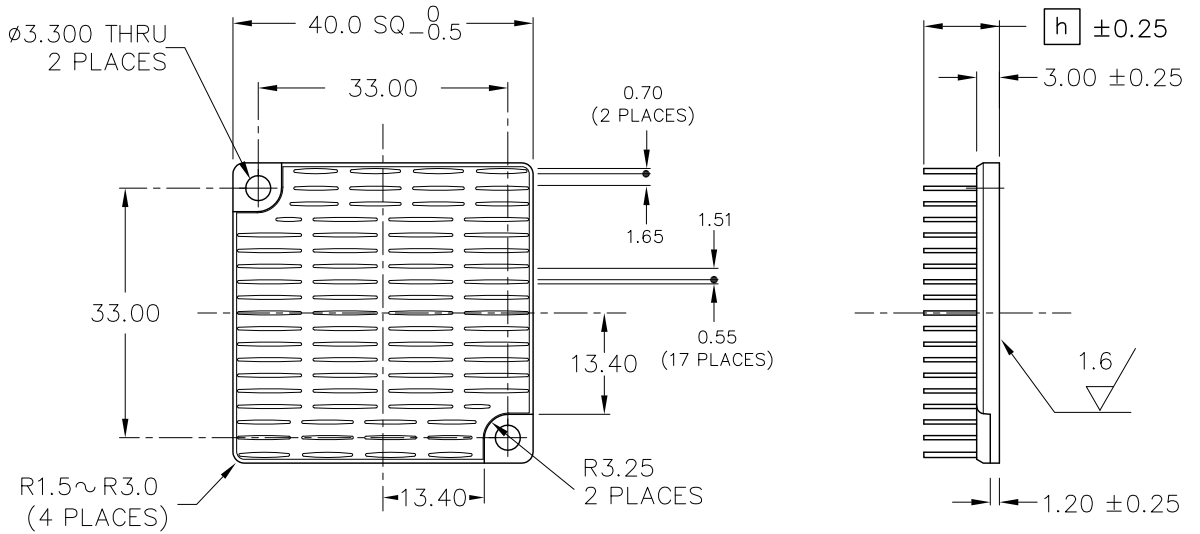
ALPHA

Low Pressure Drop and
Low Thermal Resistance Heat Sink
with counterbored attachment holes

UCBH 40



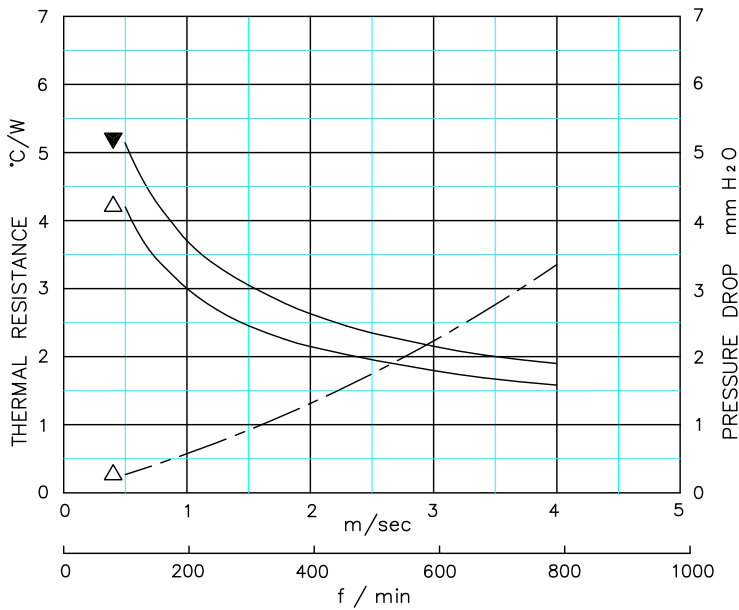
DIM



MODEL	HEIGHT h	WEIGHT (grams)
UCBH40-7B	7	15.4
UCBH40-10B	10	17.7

MATERIAL : A 6063
FINISH : BLACK ANODIZE
DIMENSIONS : mm

DATA



AIR VELOCITY: DUCTED CONDITION

▼ UCBH40-7B
 △ UCBH40-10B
 ● DUCTED CONDITION
 DUMMY HEATER SIZE: 12.7 SQ
 THERMAL RESISTANCE ———
 PRESURE DROP - - -
 ■ BASED ON ALPHA'S STANDARD TEST PROCEDURE. REFER TO TECHNICAL INFORMATION.

Alpha Company Ltd.

256-1 UEDA, NUMAZU-CITY SHIZUOKA-PREF., JAPAN
PHONE +81(55)966 0789
FAX +81(55)966 9192
E mail : alpha@micforg.co.jp
URL : <http://www.micforg.co.jp>

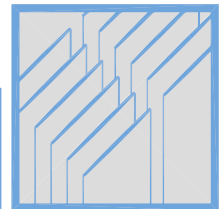
Alpha Novatech, Inc. - a subsidiary of Alpha Company.

473 Sapena Ct. #12 Santa Clara, CA 95054 USA
PHONE +1(408)567-8082
FAX +1(408)567-8053
E mail : sales@alphanovatech.com
URL : <http://www.alphanovatech.com>

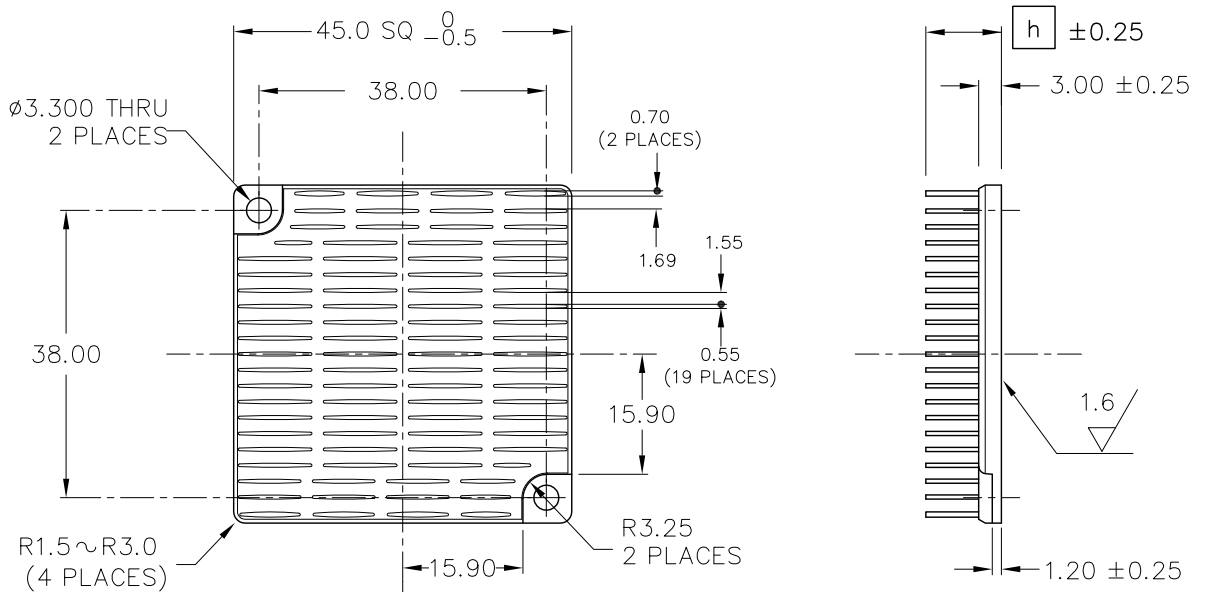
ALPHA

Low Pressure Drop and
Low Thermal Resistance Heat Sink
with counterbored attachment holes

UCBH45



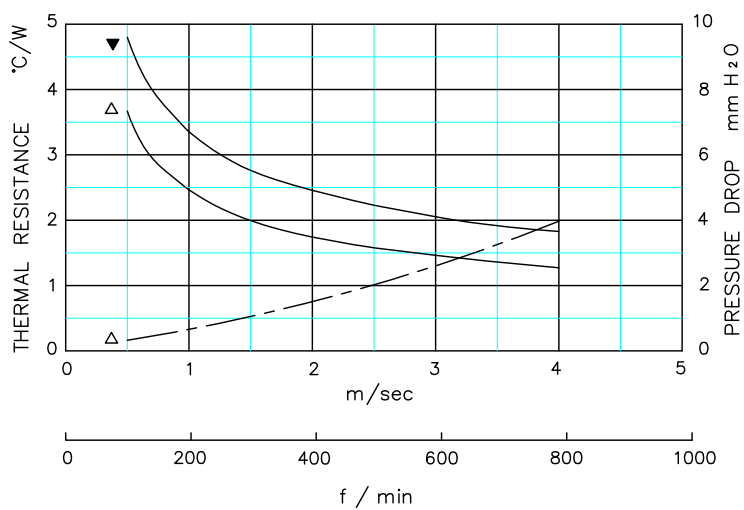
DIM



MODEL	HEIGHT [h]	WEIGHT (grams)
UCBH45-7B	7	19.6
UCBH45-10B	10	22.6

MATERIAL : A 6063
FINISH : BLACK ANODIZE
DIMENSIONS : mm

DATA



AIR VELOCITY: DUCTED CONDITION

BASED ON ALPHA'S STANDARD TEST PROCEDURE. REFER TO TECHNICAL INFORMATION.

Alpha Company Ltd.

256-1 UEDA, NUMAZU-CITY SHIZUOKA-PREF., JAPAN
PHONE +81(55)966 0789
FAX +81(55)966 9192
E mail : alpha@micforg.co.jp
URL : <http://www.micforg.co.jp>

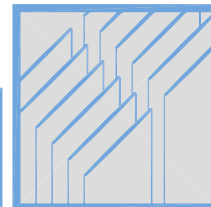
Alpha Novatech, Inc. - a subsidiary of Alpha Company.

473 Sapena Ct. #12 Santa Clara, CA 95054 USA
PHONE +1(408)567-8082
FAX +1(408)567-8053
E mail : sales@alphanovatech.com
URL : <http://www.alphanovatech.com>

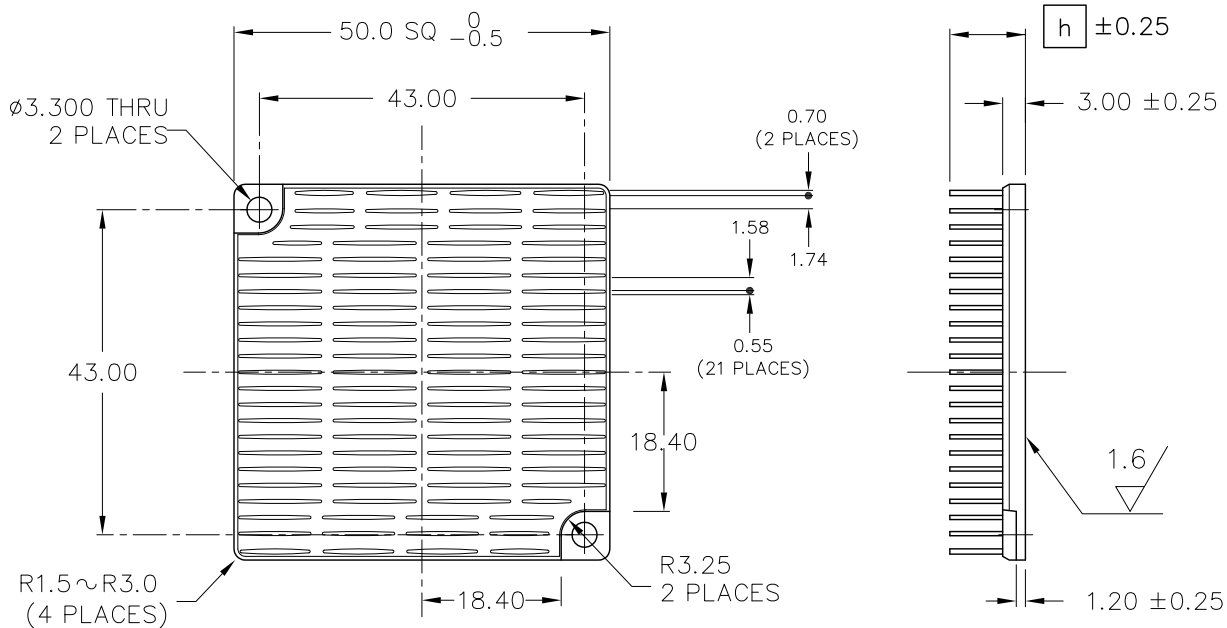
ALPHA

Low Pressure Drop and
Low Thermal Resistance Heat Sink
with counterbored attachment holes

UCBH50



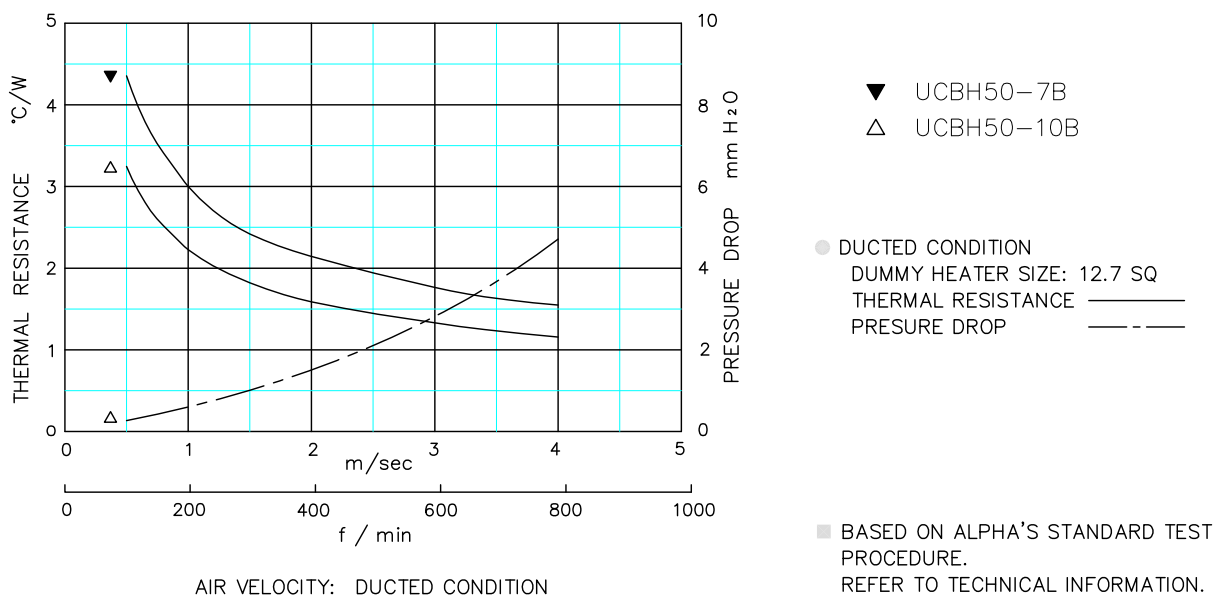
DIM



MODEL	HEIGHT h	WEIGHT (grams)
UCBH50-7B	7	24.5
UCBH50-10B	10	28.3

MATERIAL : A 6063
FINISH : BLACK ANODIZE
DIMENSIONS : mm

DATA



Alpha Company Ltd.

256-1 UEDA, NUMAZU-CITY SHIZUOKA-PREF., JAPAN
 PHONE +81(55)966 0789
 FAX +81(55)966 9192
 E mail : alpha@micforg.co.jp
 URL : <http://www.micforg.co.jp>

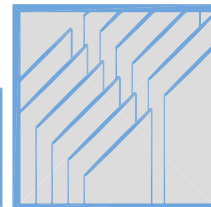
Alpha Novatech, Inc. - a subsidiary of Alpha Company.

473 Sapena Ct. #12 Santa Clara, CA 95054 USA
 PHONE +1(408)567-8082
 FAX +1(408)567-8053
 E mail : sales@alphanovatech.com
 URL : <http://www.alphanovatech.com>

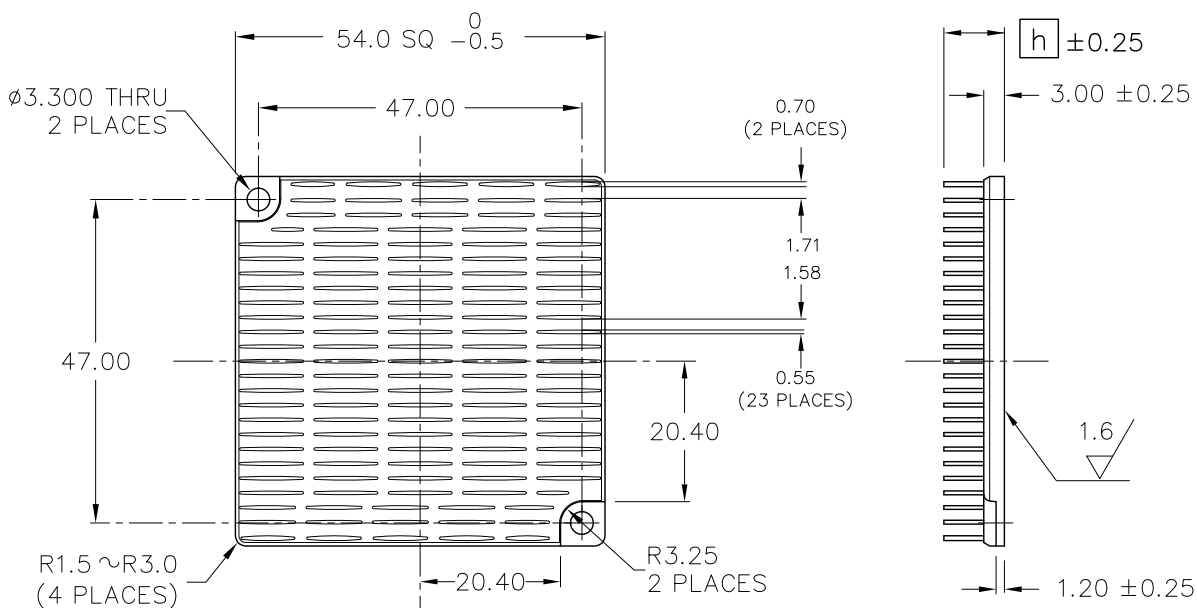
ALPHA

Low Pressure Drop and
Low Thermal Resistance Heat Sink
with counterbored attachment holes

UCBH54



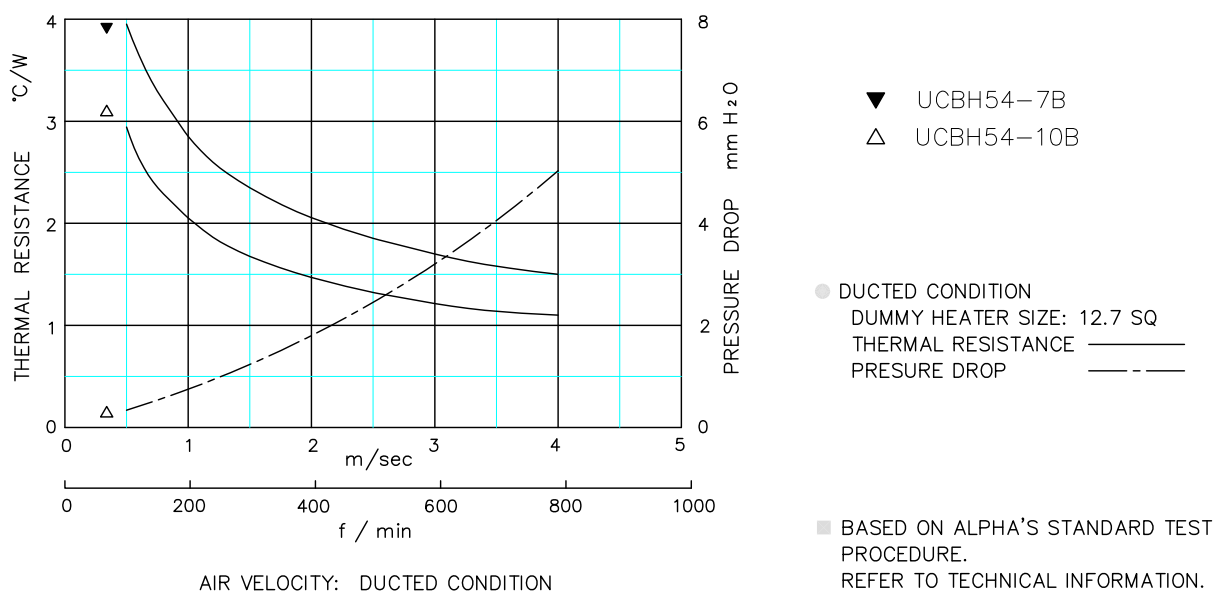
DIM



MODEL	HEIGHT h	WEIGHT (grams)
UCBH54-7B	7	28.6
UCBH54-10B	10	33.0

MATERIAL : A 6063
FINISH : BLACK ANODIZE
DIMENSIONS : mm

DATA



Alpha Company Ltd.

256-1 UEDA, NUMAZU-CITY SHIZUOKA-PREF., JAPAN
PHONE +81(55)966 0789
FAX +81(55)966 9192
E mail : alpha@micforg.co.jp
URL : <http://www.micforg.co.jp>

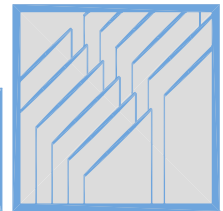
Alpha Novatech, Inc. - a subsidiary of Alpha Company.

473 Sapena Ct. #12 Santa Clara, CA 95054 USA
PHONE +1(408)567-8082
FAX +1(408)567-8053
E mail : sales@alphanovatech.com
URL : <http://www.alphanovatech.com>

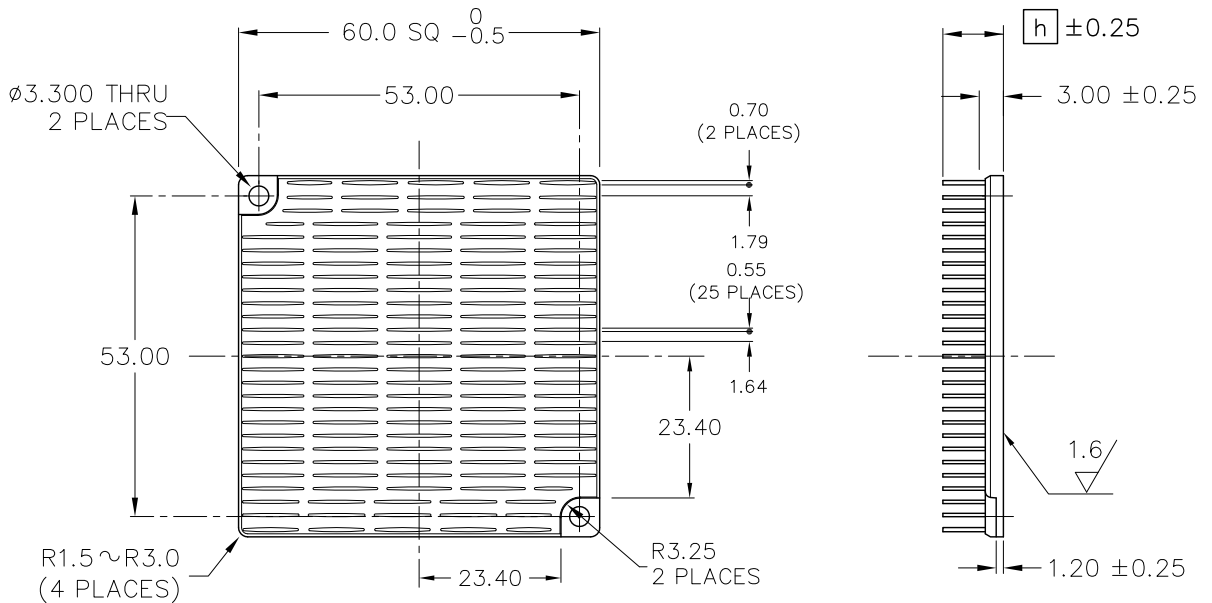
ALPHA

Low Pressure Drop and
Low Thermal Resistance Heat Sink
with counterbored attachment holes

UCBH 60



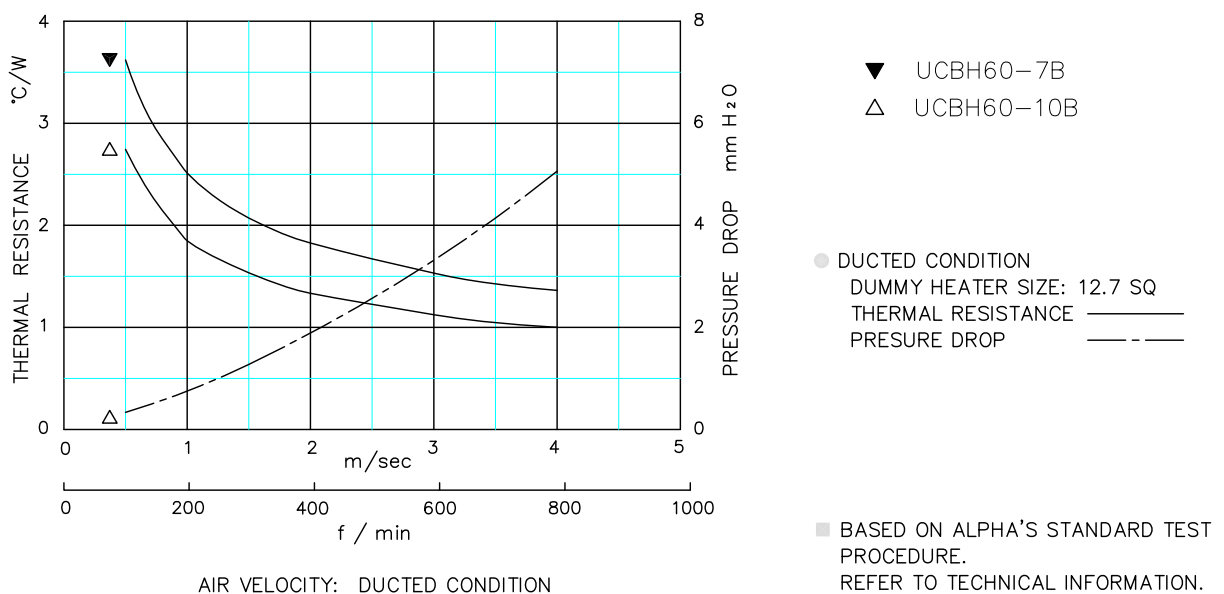
DIM



MODEL	HEIGHT h	WEIGHT (grams)
UCBH60-7B	7	35.6
UCBH60-10B	10	41.0

MATERIAL : A 6063
FINISH : BLACK ANODIZE
DIMENSIONS : mm

DATA



Alpha Company Ltd.

256-1 UEDA, NUMAZU-CITY SHIZUOKA-PREF., JAPAN
PHONE +81(55)966 0789
FAX +81(55)966 9192
E mail : alpha@micforg.co.jp
URL : <http://www.micforg.co.jp>

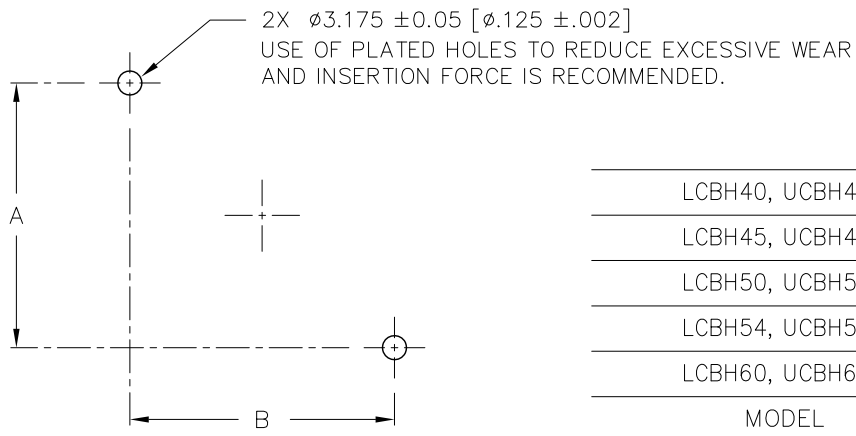
Alpha Novatech, Inc. - a subsidiary of Alpha Company.

473 Sapena Ct. #12 Santa Clara, CA 95054 USA
PHONE +1(408)567-8082
FAX +1(408)567-8053
E mail : sales@alphanovatech.com
URL : <http://www.alphanovatech.com>

REF



PCB HOLE LAYOUT



LCBH40, UCBH40	33.0	33.0
LCBH45, UCBH45	38.0	38.0
LCBH50, UCBH50	43.0	43.0
LCBH54, UCBH54	47.0	47.0
LCBH60, UCBH60	53.0	53.0
MODEL	A	B