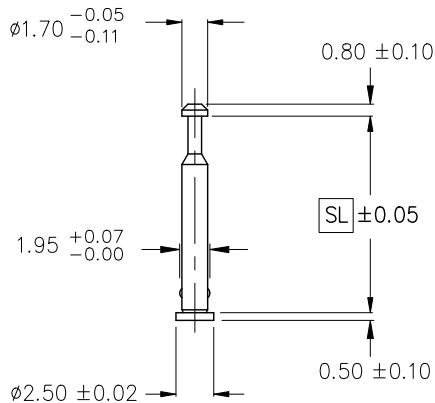




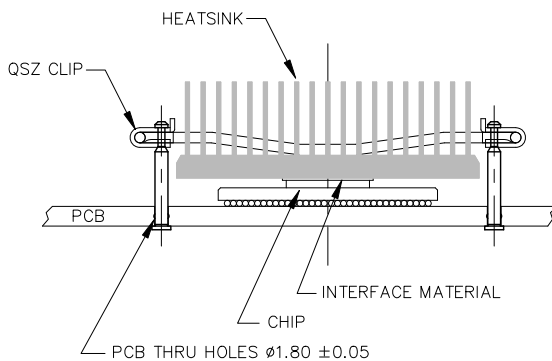
ANCR PINS ONLY REQUIRE 1.80mm DIAMETER HOLES IN THE PCB. THE SMALL FOOTPRINT GREATLY REDUCES THE AMOUNT OF PCB SPACE SACRIFICED FOR HEAT SINK ATTACHMENT, MINIMIZING OR ELIMINATING.

DIM



P/N	PART NAME	SL
S001YZ3A	ANCR-8	8.00
S001YZ2F	ANCR-11	11.00
S001YZ4K	ANCR-12	12.00
S001YZ2C	ANCR-13	13.00
S001YZ2J	ANCR-16	16.00

- MATERIAL : SUS303 OR SUS303CU
- DIMENSIONS mm



#### REFERENCES:

- BOARD: RECOMMENDED  $\phi 1.80 \pm 0.05$  THRU HOLES IN BOARD. THE USE OF NON-PLATED HOLES IS RECOMMENDED.
- VARIOUS QSZ CLIPS & ANCR ANCHOR PIN LENGTHS ARE STANDARDIZED AND CAN BE USED WITH MANY OF OUR STANDARD CATALOG HEATSINKS. THE PIN LENGTH CAN BE USED WITH DIFFERENT PCB THICKNESS AND CHIP HEIGHTS TO ADJUST THE CLIP ATTACHMENT FORCE.